

# RCH 10000

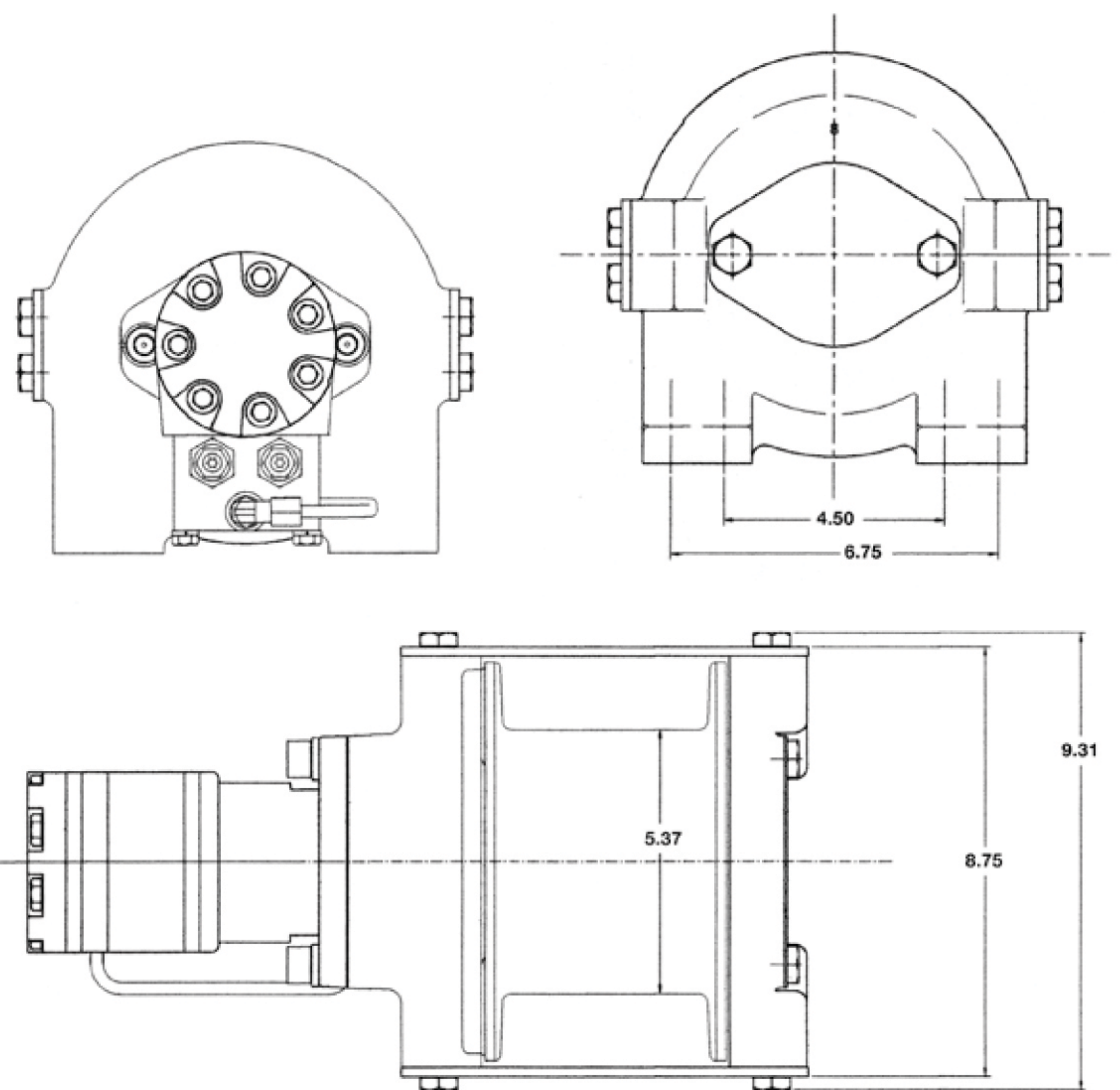
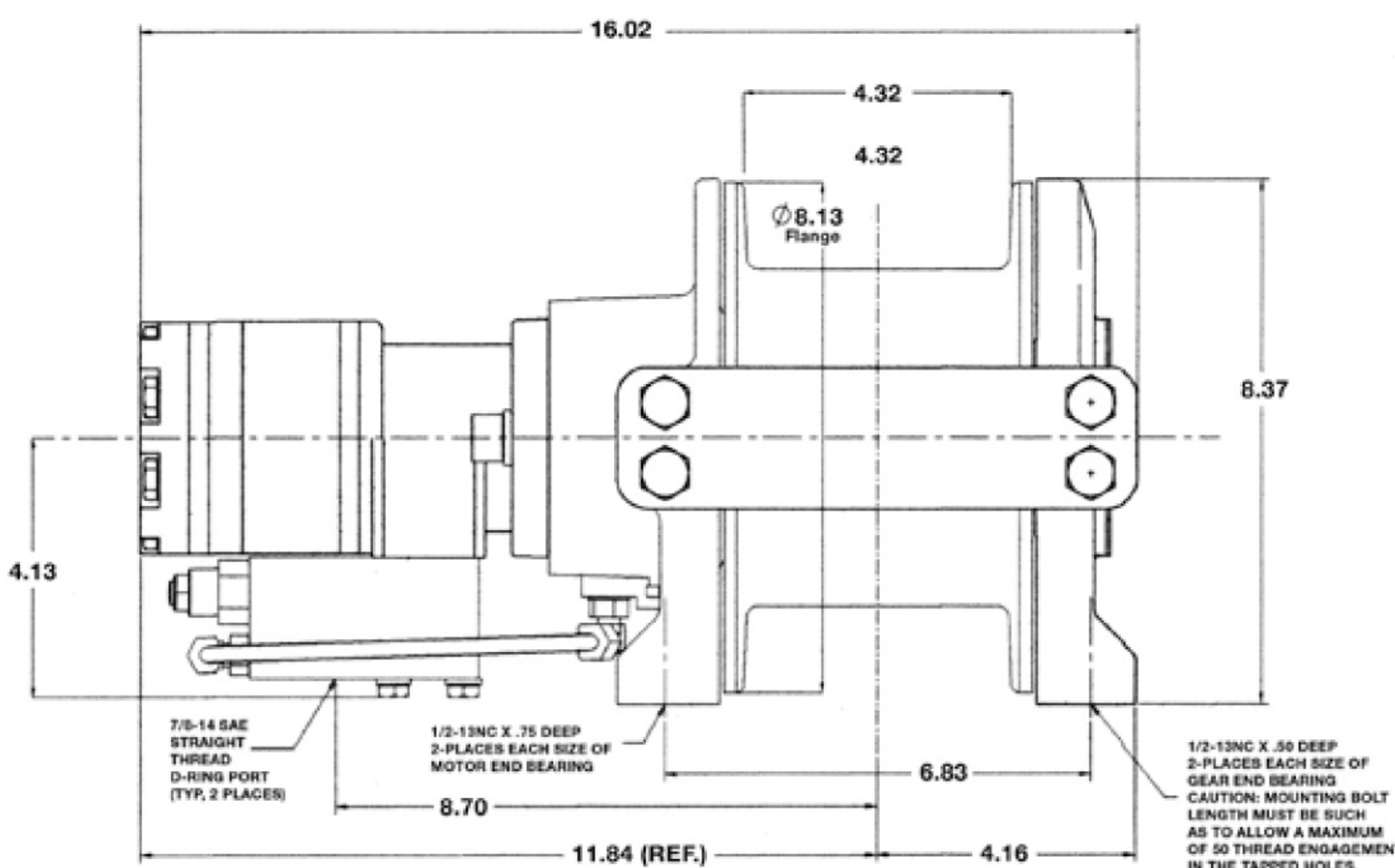
## Crane Hoist

Ramsey service crane hoists are developed to meet a need for increased line speed of crane applications and other industrial uses. Features single lubricant for all temp ranges and are light weight.

- Rated Line Pull: 1,000 lbs. (First Layer)(480 kgs)
- Weight 50 lbs. (23 kgs) without cable
- Recommended Wire Rope Size: 1/4 in.
- Hydraulic Pressure Required for Rated Line Pull: 1,800 PSI
- Hydraulic Flow required for Rated Line Speed: 5 GPM



Layer of cable		1	2	3	4
Line Pull	lbs	1,057	971	897	834
	kgs	480	440	407	378
Line Speed	fpm	85	92	99	107
	mpm	26	28	30	33
Cable Capacity	ft	22	47	73	102
	m	7	14	22	31



### ⚠ WARNING

Winches and capstans are not intended to be used for lifting or moving of persons.

[ramsey.com](http://ramsey.com)